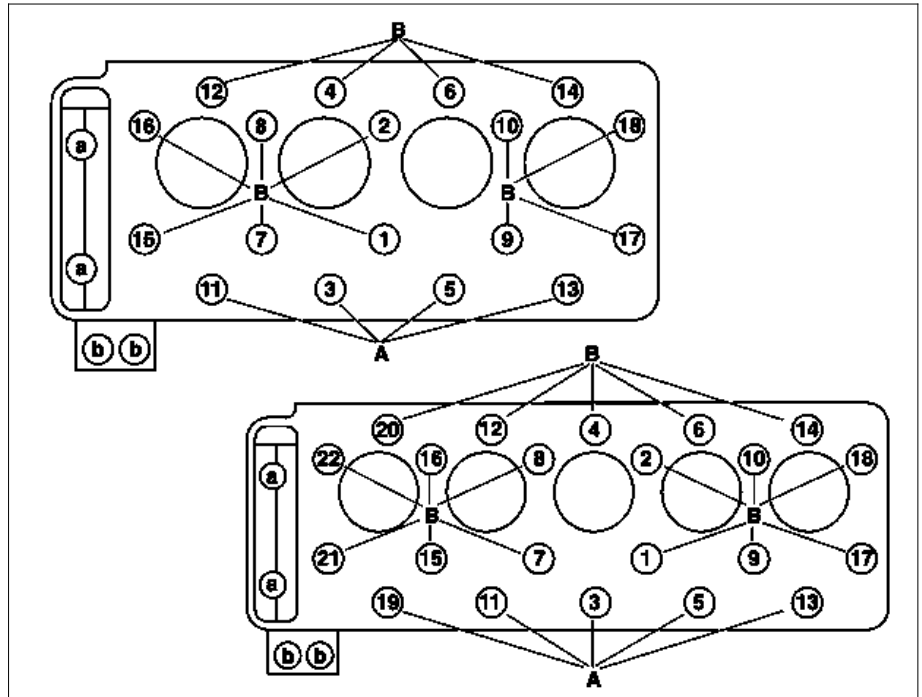


Tightening diagram/bolt allocation  
**Engine 604/605**

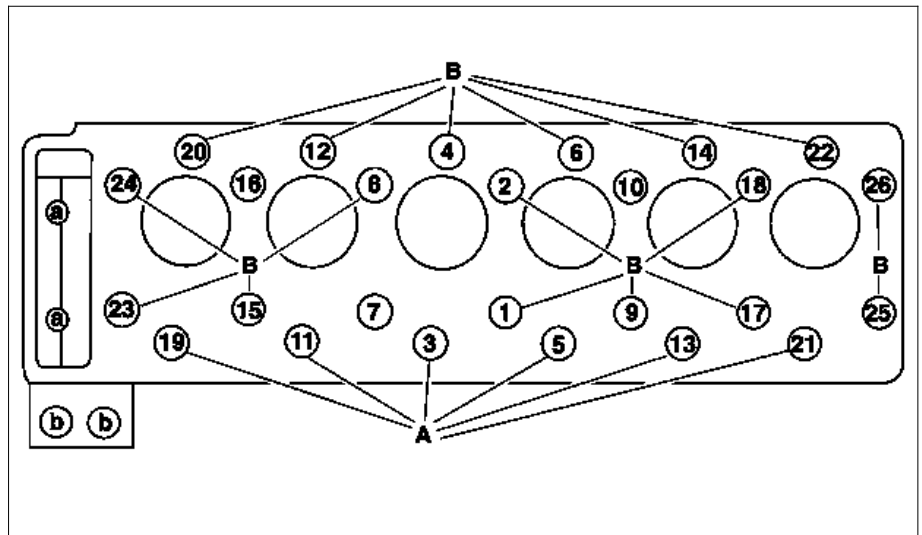
- A Collar bolt M10 ×115  
 B Collar bolt M10 ×102  
 a Bolts+washers M8×50  
 (to timing case cover)  
 b Bolts+washers M8×80 (fuel filter)



P01.30-0215-06

Tightening diagram/bolt allocation  
**Engine 606**

- A Collar bolt M10 ×115  
 B Collar bolt M10 ×102  
 a Bolts+washers M8×50  
 (to timing case cover)  
 b Bolts+washers M8×80 (fuel filter)



P01.30-0204-05