

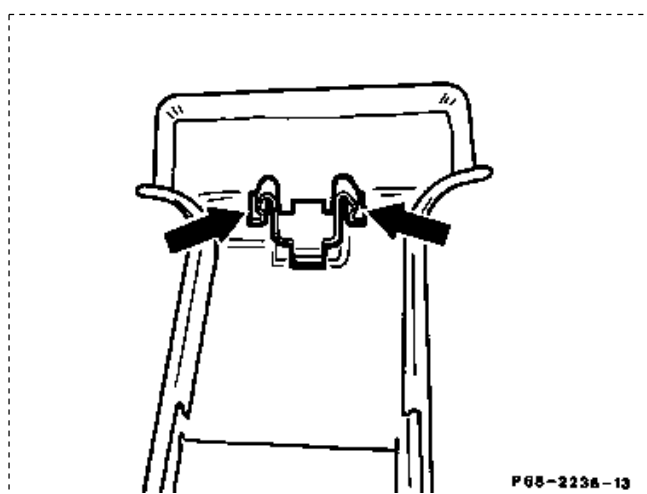
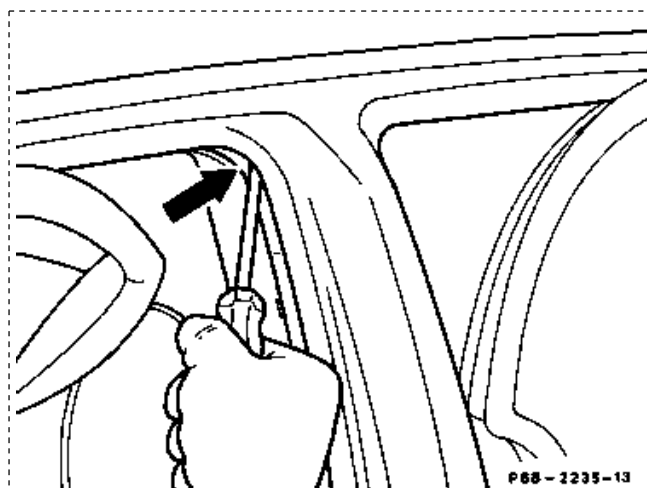
PBB-5005-37A

- |  |   |
|--|---|
| Door edge protector in area of B-pillar panelling (2)..... | pull off.   |
| Clip (1) on panelling (2).....                             | unhook on B-pillar with screwdriver.                                  |
| Panelling (2).....   | pull up out of cover (4) on main frame member.                        |
| Belt end fitting on driver's seat.....                     | screw off.  |
| Belt on panelling (2).....                                 | pull out and lay panelling (2) to side.                               |
| Clip (1).....  | stick into panelling (2).   |
| Belt end fitting.....                                      | guide through opening in panelling (2).                               |
|  |   |
| Panelling (2).....   | insert into channel in panelling (4).                                 |
| Sliding piece.....   | insert into panelling (2) on guide bolt for upper belt guide fitting. |
| Panelling (2).....   | clip in at top with clip (1).   |
| Panelling (2).....   | insert into clips (3) at side (4 clips).                              |
| Belt end fitting.....                                      | screw onto driver's seat (35 Nm).                                     |

Door edge protector..... install on B pillar.  
Check..... function of adjustable upper belt guide fitting

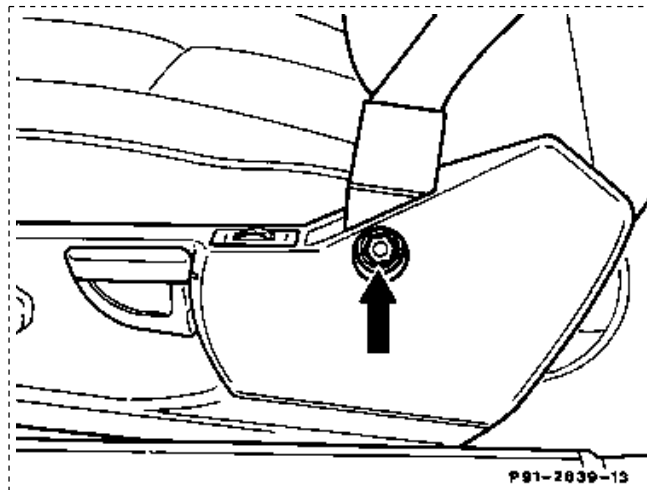
### Removal and installation

- 1 Pull off door edge protector in area of B-pillar panelling.
- 2 Unhook retaining clips at top front and rear with screwdriver.
- 3 Pull panelling upward out of panel on main frame member inside.

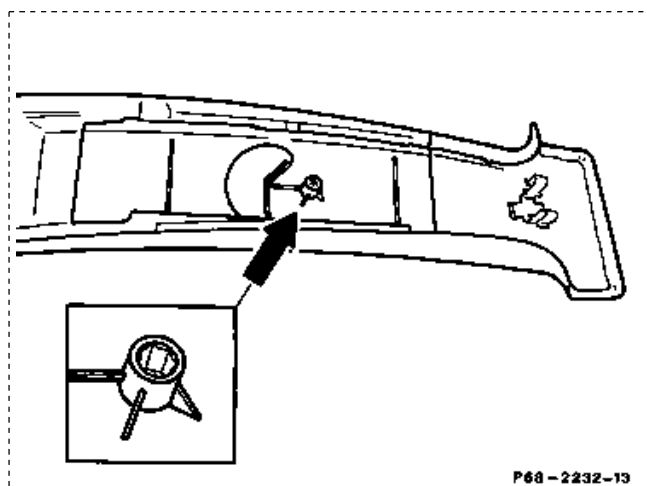


Retaining clip at top in  
B-pillar panelling

- 4 Screw out bolt on belt end fitting.
- 5 Pull belt out of B-pillar panelling and lay panelling to side.
- 6 Insert retaining clip in top of panelling.
- 7 Guide belt end fitting through opening in panelling.
- 8 Insert panelling into channel in panel for main frame member inside.



- 9 Insert sliding piece (arrow) on guide bolt for belt height adjustment.
- 10 Clip in panelling at top and clip into insert clips on B-pillar at sides.



- 11 Screw belt end fitting onto driver's seat (35 Nm).
- 12 Install door edge protector.
- 13 Check function of belt height adjustment.

