

Illustrated on model 140  
Spray nozzles.....

Illustrated on model 140  
check for proper function. Clean clogged spray nozzles with suitable needle from outside.

Spray nozzles.....

check adjustment, readjust with suitable needle, if required. The spray jet should hit the glass surface in the area marked (dots, crosses) (items 1 and 2).

**Headlamp cleaning system**

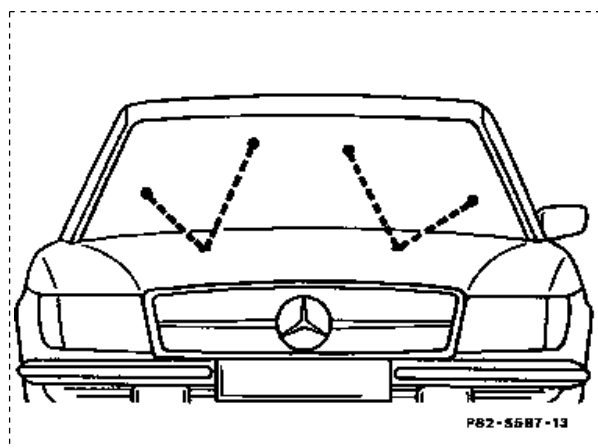
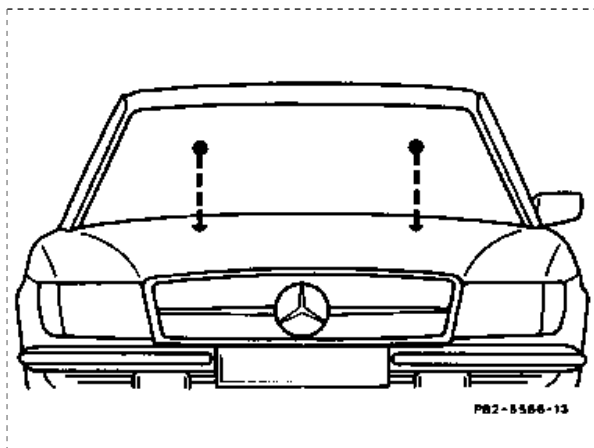
Wiper blades.....

check rubber lips for embrittlement and cracks.

Wiper arms.....

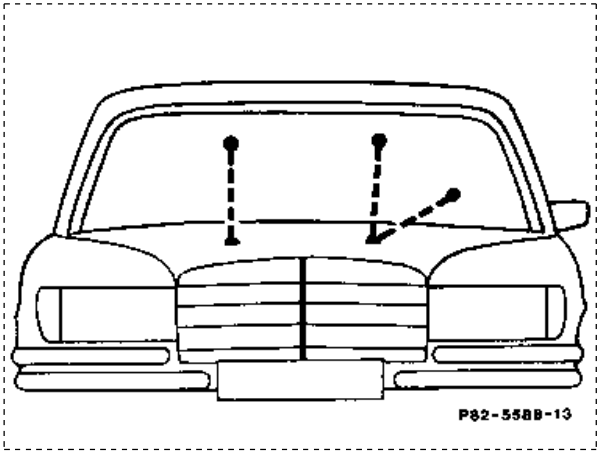
check adjustment.

**1 Spray nozzles for windshield washer**

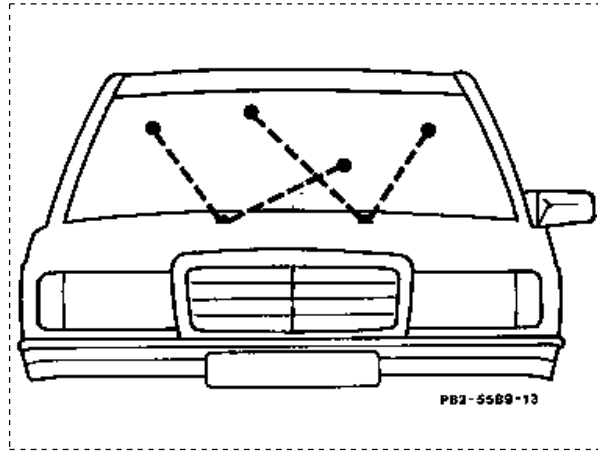


Model 107 1st version

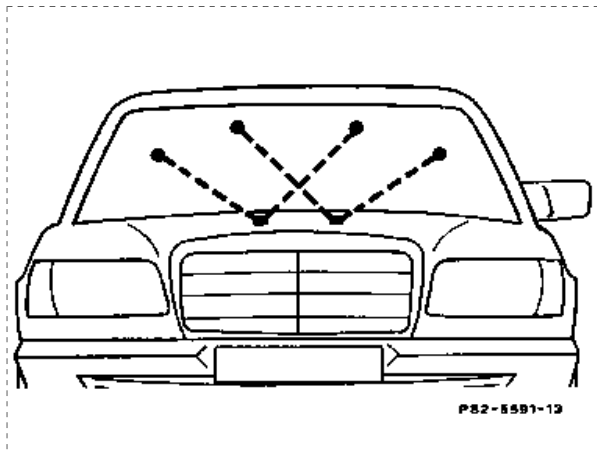
Model 107 2nd version



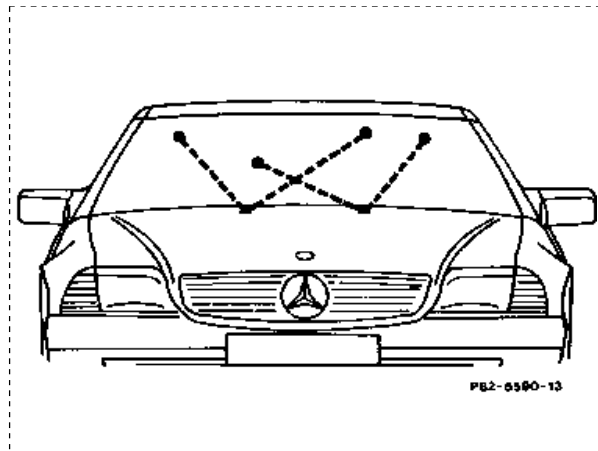
Model 123



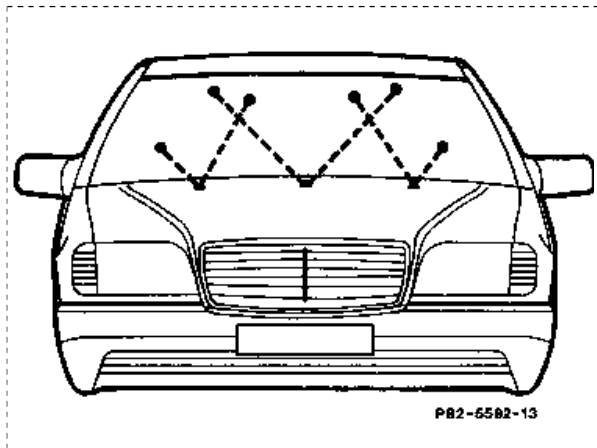
Model 124



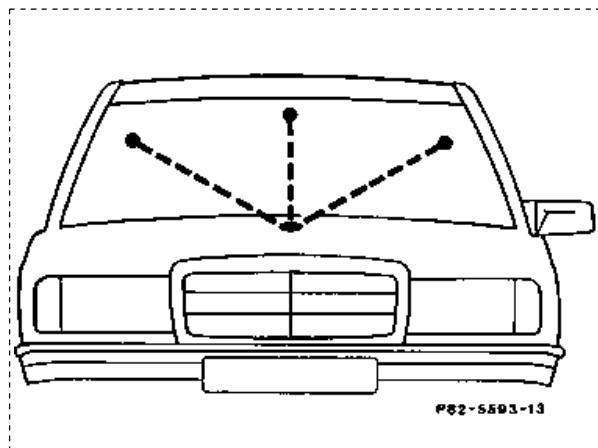
Model 126



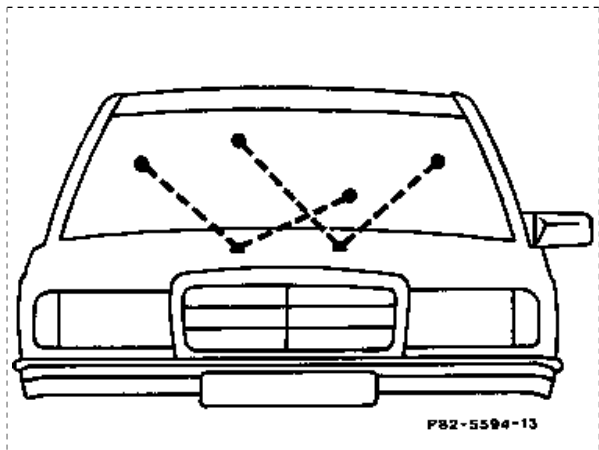
Model 129



Model 140

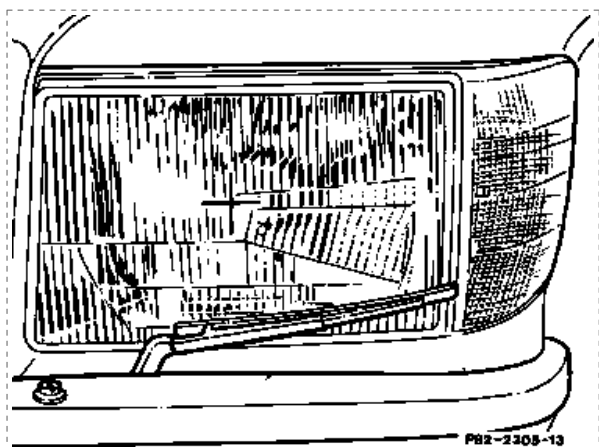


Model 201 1st version

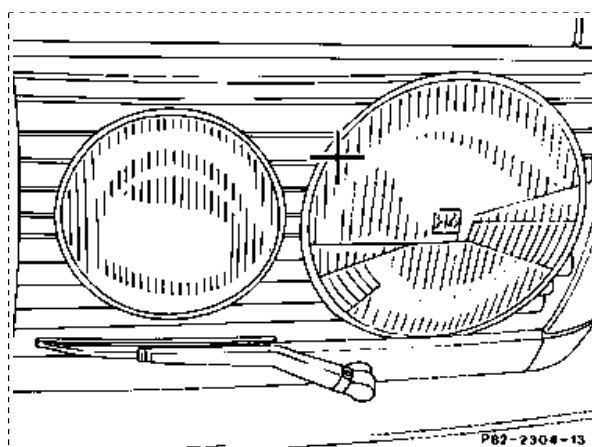


Model 201 2nd version

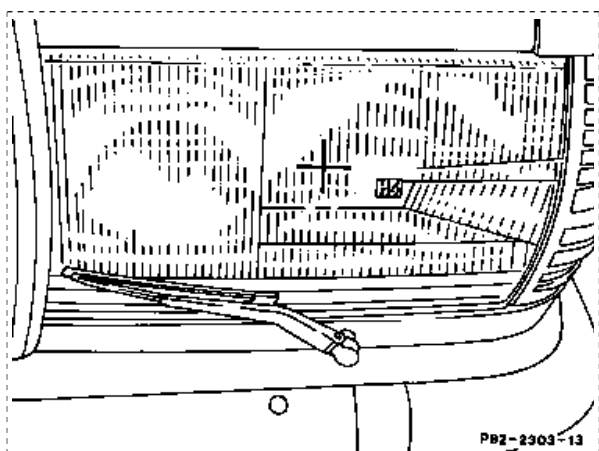
## 2 Spray nozzles for headlamp cleaning system



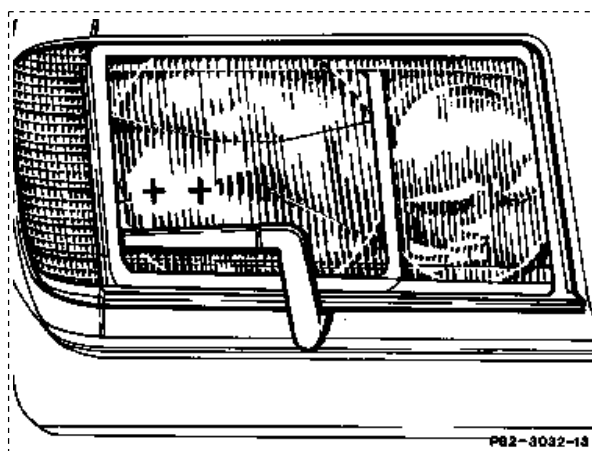
Model 107



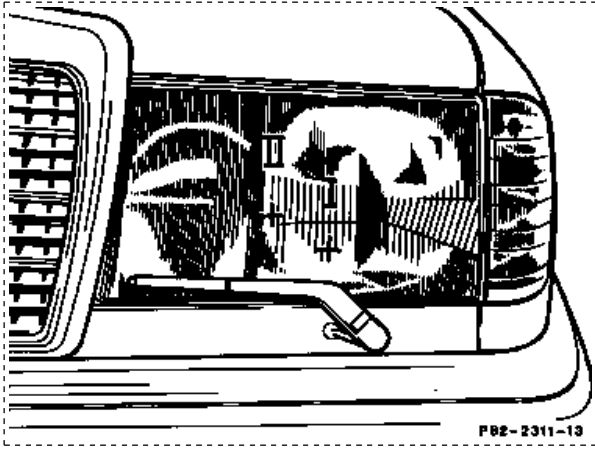
Model 123



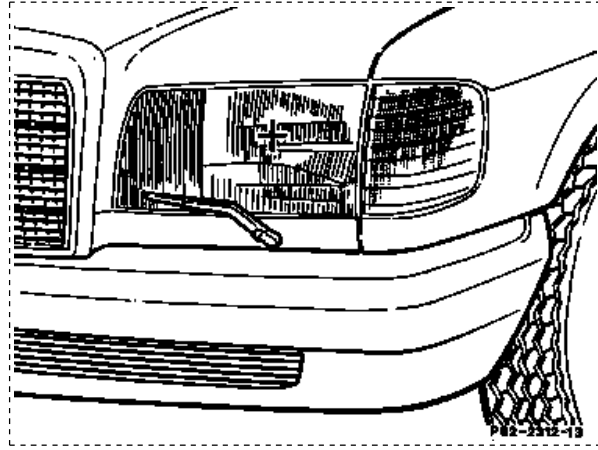
Model 123



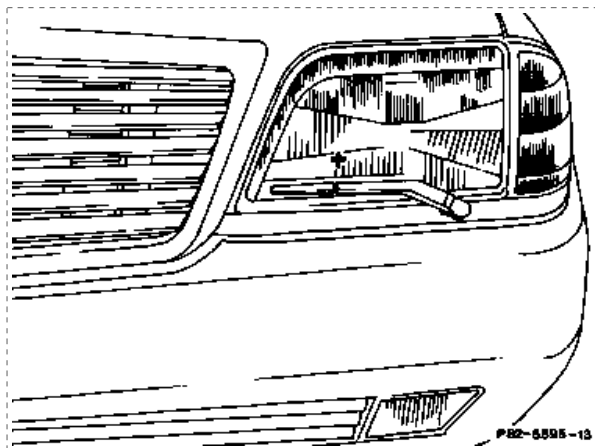
Models 124 (USA), 126 (USA)



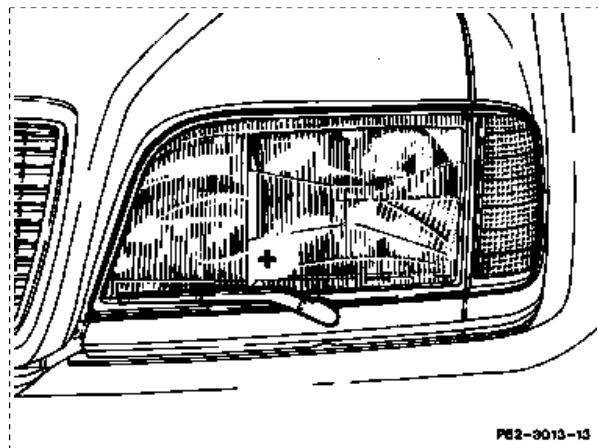
Models 124, 126 2nd version



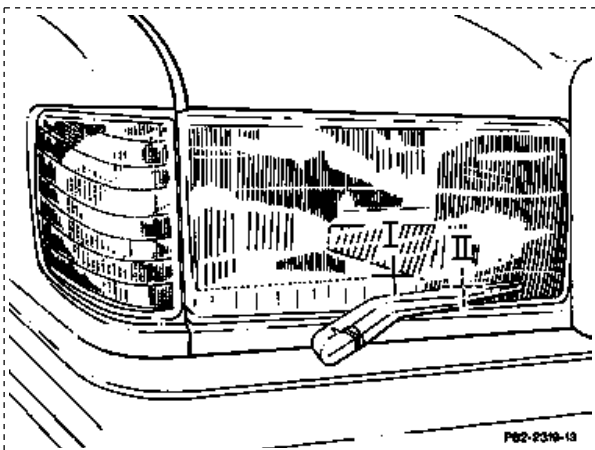
Model 126 1st version



Model 129



Model 140



Model 201