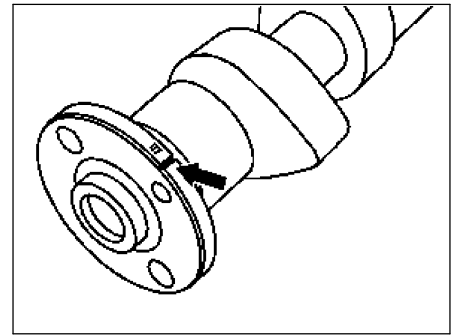


Camshaft code numbers

The code number is stamped on the flange next to the TDC notch (arrow).



P05.20-0341-01