

Manifold ADAPTER by REDLINE INSTALLATION / ASSEMBLY DIAGRAM

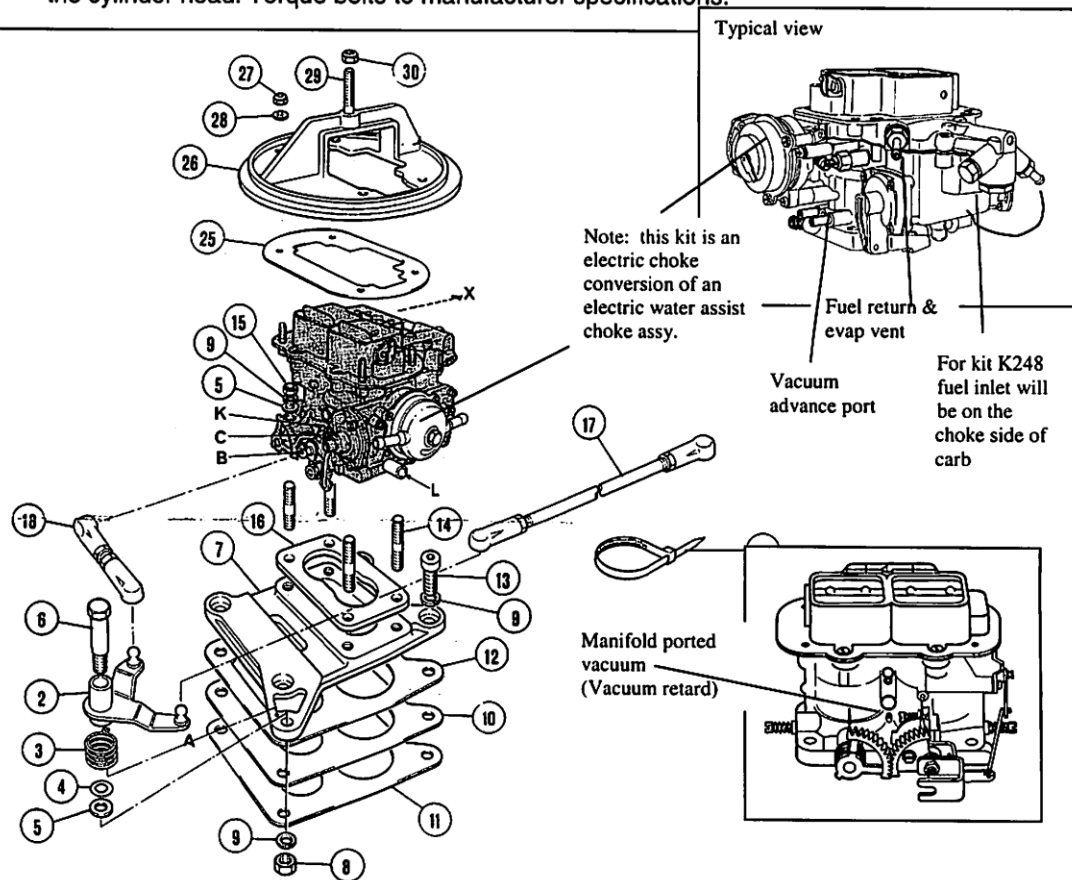


ADAPTER KIT NO.99004.248

APPLICATION Solex 4-A1

NOTES:

1. You will need to identify the primary vacuum on the Solex for vacuum advance and ported manifold vacuum for retard or accessories
2. You will also need to reroute your water lines from the original water choke system but using the hose supplied to loop across the original outlet from manifold.
3. Be sure to check the factory fuel pressure on your vehicle WEBER carburetors only require 2.5 to 3 lbs. High performance requires volume not pressure.
4. Clean manifold flange faces on cylinder head. Using a fresh gasket install the inlet manifold on the cylinder head. Torque bolts to manufacturer specifications.



Not Legal in California and ONLY for racing vehicles which may never be used upon a highway